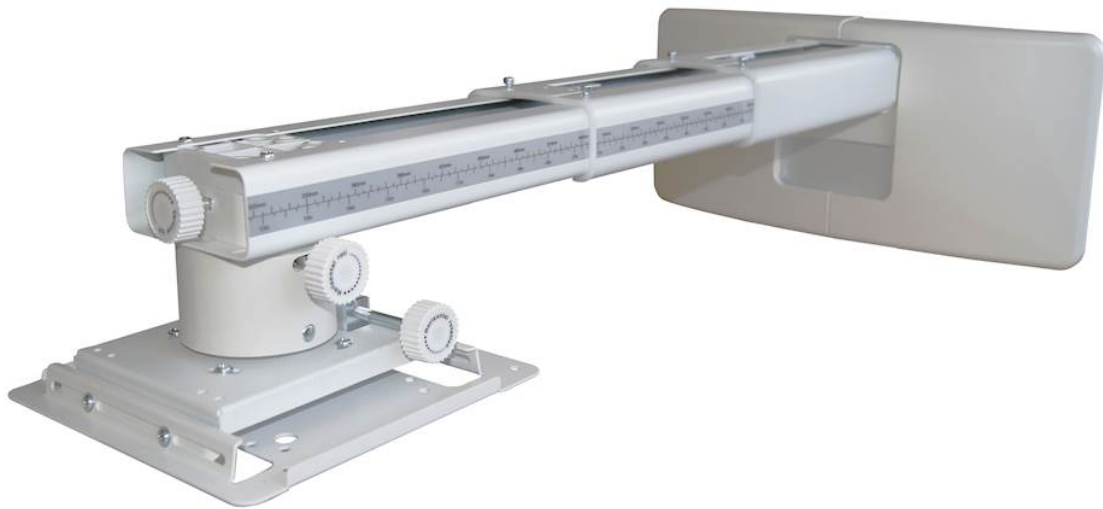


OWM3000

Ultra short throw projector mount



- **Compact telescopic arm**
- **Easy to install – adjustable**
- **Cable management**
- **Compatible with stud walls**

Designed for Optoma ultra short throw projectors this easy to install compact mount features a high quality adjustable arm and mounting plate. Perfect for installation with a whiteboard in education or corporate environments.

Specifications

General

| | |
|------------------------------|---|
| Net weight | 5kg |
| Dimensions (W x D x H) mm | 448 x 407 x 210 |
| Pitch | 5° |
| Roll | 5° |
| Yaw | 5° |
| Adjustable | +/-30mm horizontal shift, +/-40mm vertical shift |
| In the box | User manual Accessory bag (inc screws, washers, extension arms and Allen keys) |
| Extension range | 407 - 822mm |
